

<h2 style="margin: 0;">Carey Automatic Door, LLC</h2> <h3 style="margin: 0;">OSX ALL AIR (EXPLOSION PROOF) OPERATOR PACKAGES</h3>

100% ALL AIR & EXPLOSION PROOF PACKAGES

100% ALL AIR door systems are pneumatically operated with no electronics. **Explosion Proof door systems** are pneumatically operated with no electronics as well as all moving components are manufactured from non-sparking materials.

100% ALL AIR & EXPLOSION PROOF OPERATORS:

Air Opening and Air Closing (no electricity involved) - pneumatically controlled from central air supply or separate compressor. Opening and closing action will be individually controlled by separate built-in pressure regulators and opening and closing valves, which are all adjustable for pressure and volume for required speed and power. All regulators and valves can be self-contained within a control box at the door location. The operator will be capable of operating doors against wind velocities (and equivalent stack pressures) up to 40 miles per hour. Built-in two-stage checking cylinders for both opening and closing limits. The operator will instantaneously recycle the door to the full open position from any point in closing cycle. The operator will be activated by two pneumatic push plate or pull cord assemblies. The entire system is driven by pneumatic cylinders and valves without the use of electrical or electronic components.

All Operators available as ALL AIR. The following are excluded as Explosion Proof Packages: 17, 18, 19, 20, 21, 22, 23, 26, 27, 30, 31, 32, 37, 38, 39, 40, 55, 56 & 57.

FACTORS TO CONSIDER BEFORE ORDERING:

- HAND:** Swinging Doors - Specify Right Hand for clockwise, Left Hand for counterclockwise.
Sliding Doors - Specify Right Hand if door slides to the left to open, Left Hand if door slides to right.
- REVEAL:** Distance from back of operator case to inside surface of door in closed position.
Varies with door thickness and hanging. (See Detail Sheet MDS-255 on Page CP-19)
- SIDE CLEARANCE:** Distance **required** between jamb and side wall for door bracket.
- OPENING:** Determines size of operator required.

To order **ALL AIR (EXPLOSION PROOF)** equipment select the application required as shown on Pages CP-2 through CP-12A. Order by Part Number. Fire door packages include closing lever with weights.

The ALL AIR (EXPLOSION PROOF) Package Equipment List will differ from the appropriate Standard Package Equipment List as follows:

<u>PART NO.</u>	<u>DESCRIPTION</u>	
103305	OSX - 14" R.H. All Air Operator	Substituted for Regular Operator
103306	OSX - 14" L.H. All Air Operator	Substituted for Regular Operator
103307	OSX - 24" R.H. All Air Operator	Substituted for Regular Operator
103308	OSX - 24" L.H. All Air Operator	Substituted for Regular Operator
920100	ALL AIR Valve Package	1 included in Every Package except Fire Door
402839	Pull Cord - MA-10	2 included in Every Package OR
409693	Wall Mounted Palm Button Switches	2 included in Every Package
960130	All Air Time Delay (0-30 seconds)	1 included in Every Package
960175	All Air Time Delay (0-60 seconds)	Available on special order as an optional extra
311769	Valve Control Panel	Available on special order as an optional extra

AVAILABLE ACTIVATION OPTIONS:

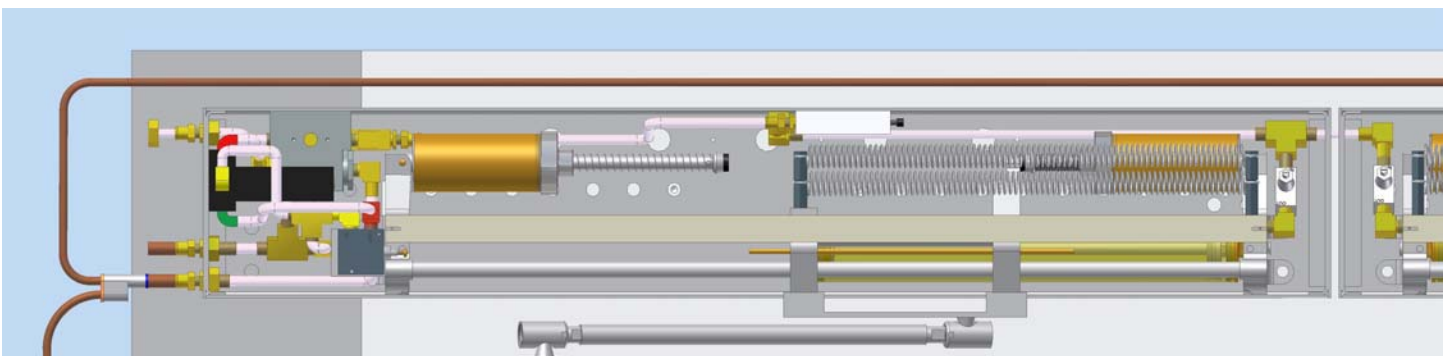
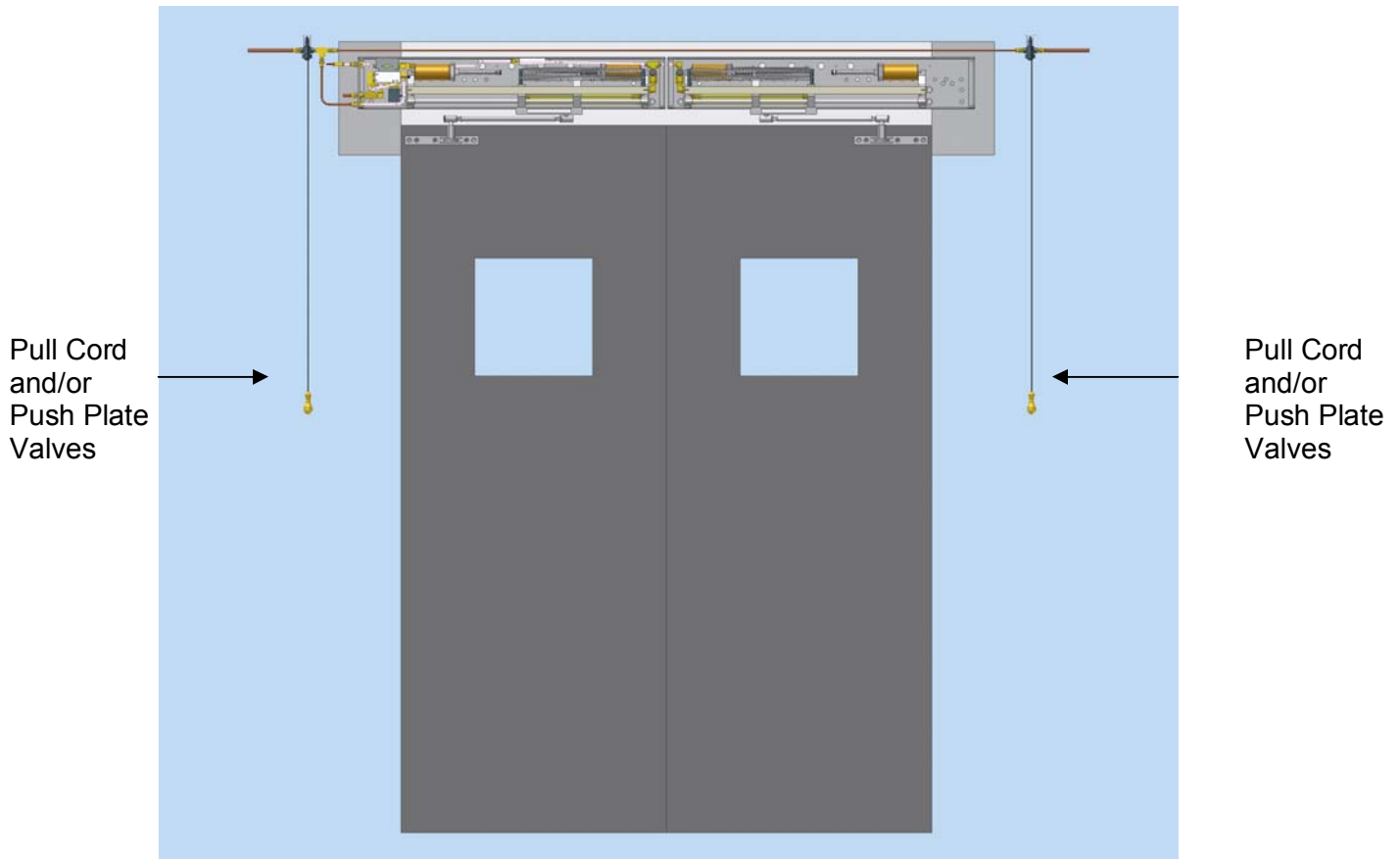
- Push to Open, Push to Close
- Push to Open, Hold Open with Time Delay (standard: 30 sec., optional: 60 sec.), Air Power Close

Customized Systems Available for Specialized Applications.

Carey Automatic Door, LLC, its employees and associates are not electrical engineers or building code experts. You should consult the proper experts before purchasing a system in a hazardous area.

Carey Automatic Door, LLC
OSX ALL AIR (EXPLOSION PROOF) OPERATOR PACKAGES

“IN” SWING OPERATORS
Doors Swing Under the Operator

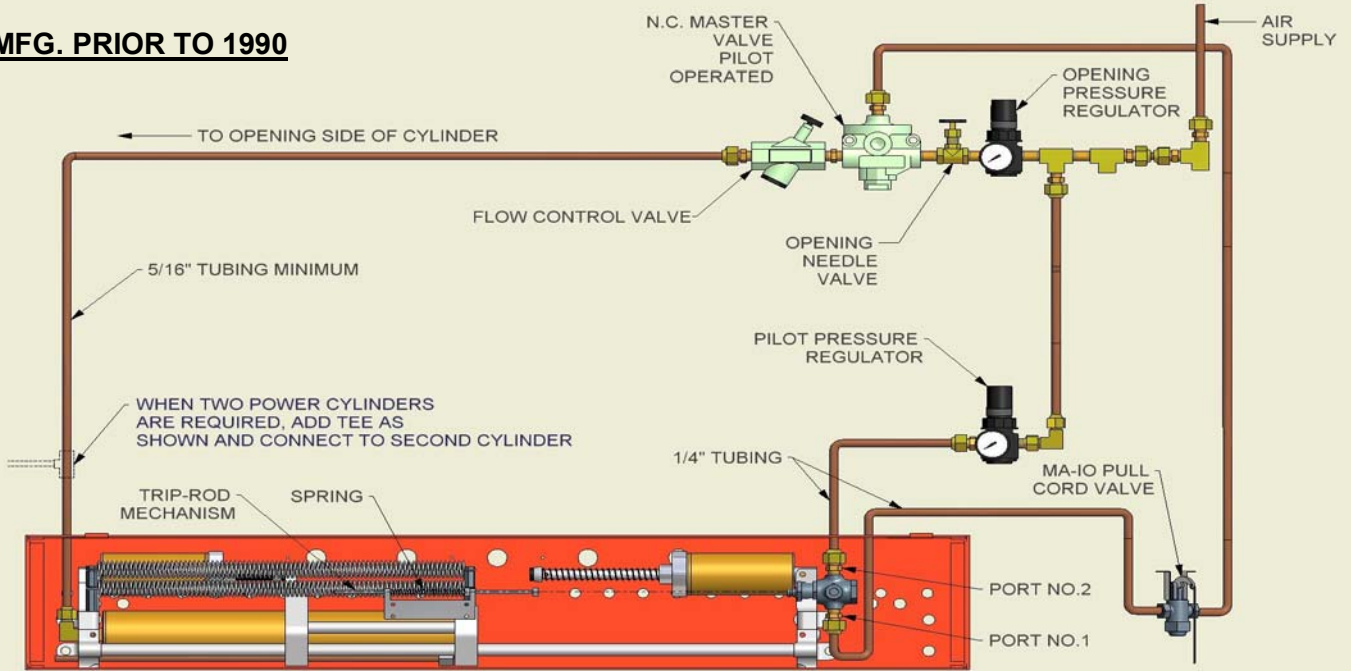


All Regulators & Valves are Self-Contained with Operator Case!

Carey Automatic Door, LLC

OSX ALL AIR (EXPLOSION PROOF) OPERATOR PACKAGES

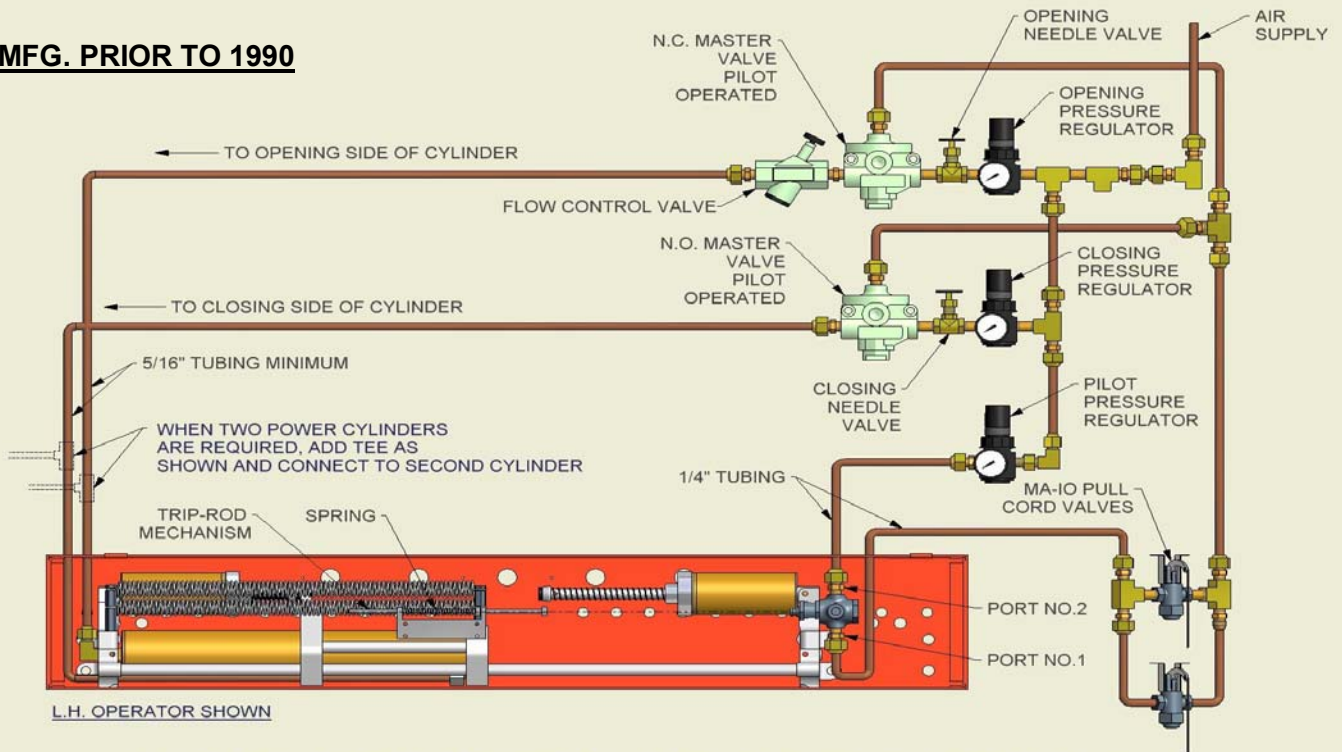
AS MFG. PRIOR TO 1990



L.H. OPERATOR SHOWN

ALL PNEUMATIC CONTROL WITH SINGLE ACTING AIR AND COUNTER-WEIGHT CLOSING

AS MFG. PRIOR TO 1990



L.H. OPERATOR SHOWN

ALL PNEUMATIC CONTROL WITH DOUBLE ACTING AIR

Carey Automatic Door, LLC

OSX ALL AIR (EXPLOSION PROOF) OPERATOR PACKAGES

CONTROL BOX ASSEMBLY DOUBLE ACTING

PART NO.: 511670

